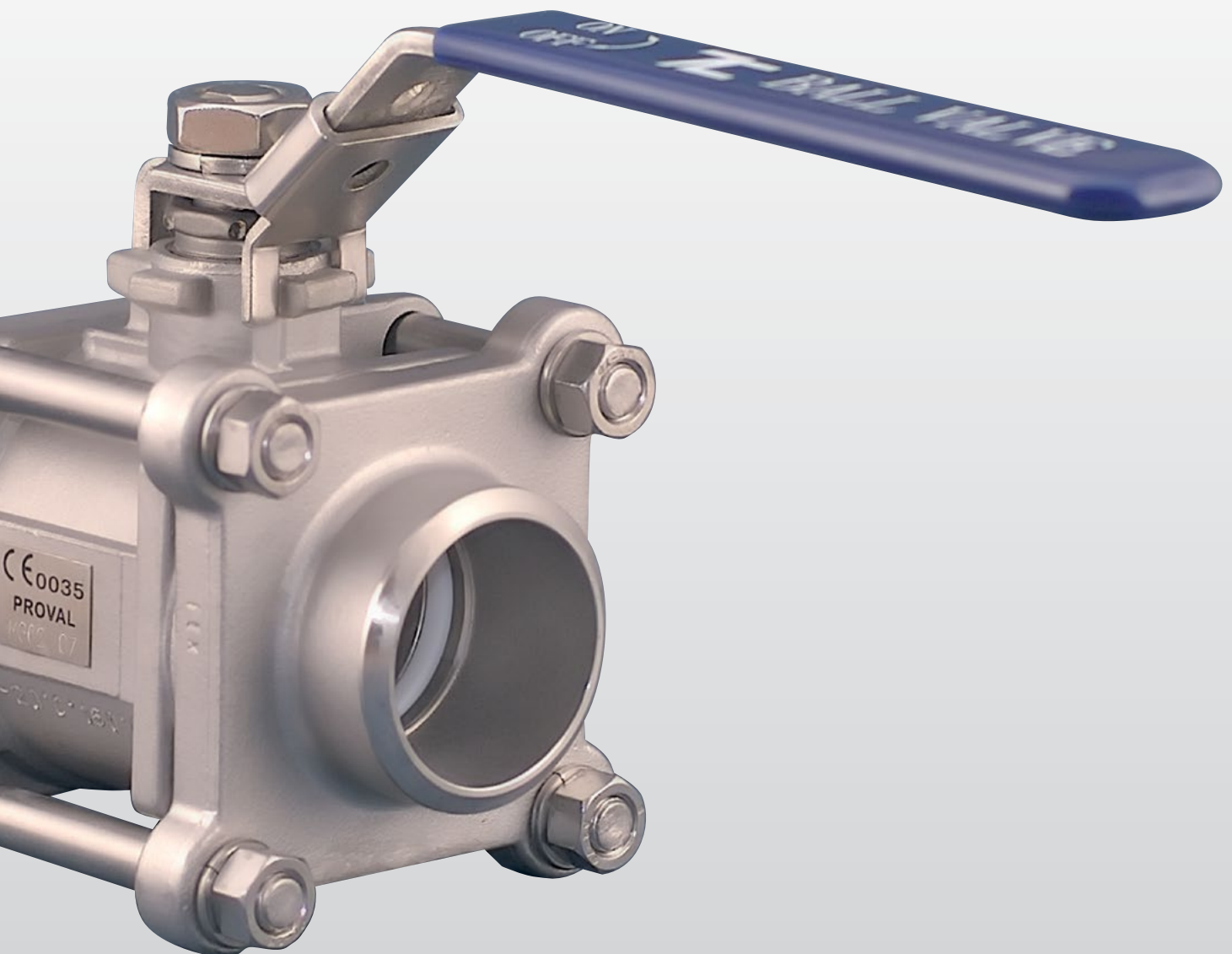




ESBOvalve

A 302 S

The A 302 S is a silicone-free, blow-off proof ball valve with three-piece body and butt welded connections



ESB0valve

A 302 S

The ESB0valve A 302 S is a ball valve with three-piece body and butt welded connection. It is silicone-free and has a blow-off proof stem design.



Technical data

Through-bore	1/4" – 4"
Overall length	DIN 3202 M3
Pressure class	PN 63 (1/4" – 4")
Enclosure, end cap, ball	1.4408 (316)
Spindle	1.4401 (316)
Thrust washer, spring washer, nut	1.4301 (304)
O-ring (DVGW-GAS, DIN 3535 Part 3)	Viton
Ball seal, sliding ring, packing box, etc.	PTFE, TFM 1600 or RTFE
Handle	1.4301 (304), plastic covering
Actuators	Hand lever

Dimensions

Size	Bore	ØD	L
1/4"	DN 8	10,6	75
3/8"	DN 10	12,7	75
1/2"	DN 15	15	75
3/4"	DN 20	20	80
1"	DN 25	25	90
1¼"	DN 32	32	110
1½"	DN 40	38	120
2"	DN 50	50	140
2½"	DN 65	63,5	185
3"	DN 80	76	205
4"	DN 100	100	240

ØD: Bore diameter of the ball

L: Face-to-face length of the ball valve

All dimensions in millimeters (mm)



ESBO GmbH

Erbsengasse 28
D-69469 Weinheim
Deutschland

Telefon +49 6201 63081
Telefax +49 6201 17917

info@esbo.de
sales.bulk@esbo.de
www.esbo.de