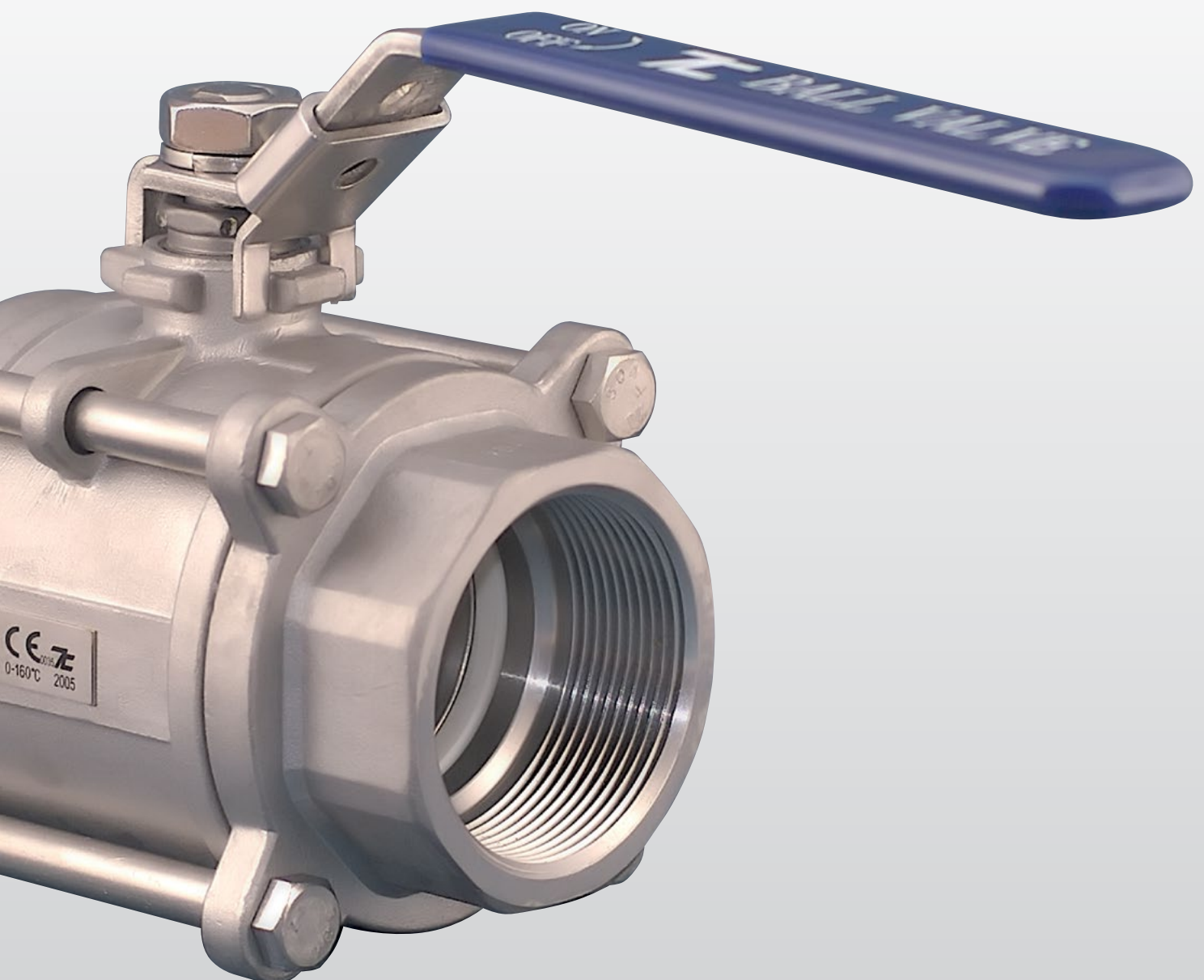




ESBOvalve

A 302

The A 302 is a silicone-free, blow-off proof ball valve with two-piece body and threaded ends



ESB0valve

A 302

The ESB0valve A 302 is a ball valve with three-piece body and threaded ends. It is silicone-free and has a blow-off proof stem design.



Technical data

| | |
|--|---|
| Through-bore | 1/4" – 4" |
| Overall length | DIN 3202 M3 |
| Pressure class | PN 63 (1/4" – 4") |
| Enclosure, end cap, ball | 1.4408 (316) |
| Spindle | 1.4401 (316) |
| Thrust washer, spring washer, nut | 1.4301 (304) |
| O-ring | PTFE |
| Ball seal, sliding ring, packing box, etc. | PTFE, TFM 1600 or RTFE |
| Handle | 1.4301 (304), plastic covering |
| Threaded ends | DIN EN 10226-1 (previously DIN 2999-1), NPT or BS |
| Actuators | Hand lever |

Dimensions

| Size | Bore | ØD | L |
|------|--------|------|-----|
| 1/4" | DN 8 | 10,6 | 75 |
| 3/8" | DN 10 | 12,7 | 75 |
| 1/2" | DN 15 | 15 | 75 |
| 3/4" | DN 20 | 20 | 80 |
| 1" | DN 25 | 25 | 90 |
| 1¼" | DN 32 | 32 | 110 |
| 1½" | DN 40 | 38 | 120 |
| 2" | DN 50 | 50 | 140 |
| 2½" | DN 65 | 63,5 | 185 |
| 3" | DN 80 | 76 | 205 |
| 4" | DN 100 | 100 | 240 |

ØD: Bore diameter of the ball

L: Face-to-face length of the ball valve
All dimensions in millimeters (mm)



ESBO GmbH

Erbsengasse 28
D-69469 Weinheim
Deutschland

Telefon +49 6201 63081
Telefax +49 6201 17917

info@esbo.de
sales.bulk@esbo.de
www.esbo.de